

COJO Technology

403 275 6047
www.cojo.ca

CERAMAG

HAZARDOUS LOCATION POWER SYSTEMS
Calgary, Alberta



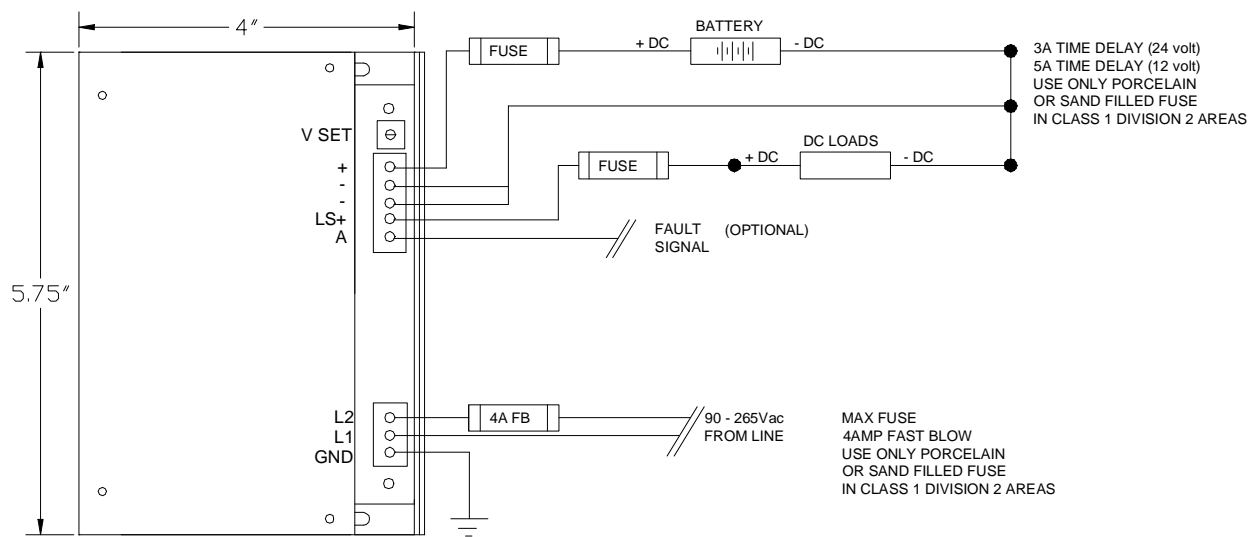
BC70-LS

Universal Switchmode Power Supply Charger

The BC series of switching power supply has been designed to operate DC systems and systems where battery back-up is required. The case design allows for 35mm Din rail mounting.

Features

- Power supply suitable for battery charging
- Universal input 90 - 265 vac
- Temperature compensated battery charger
- Plug and socket connectors on input and output
- Over current and short circuit protected
- Power fail alarm
- Auto resetting low voltage load shed for battery or loads
- Adjustable output / charging voltage
- Din rail mounting
- Class 1 Division 2 certified
- Full conformal coating to protect against shock, vibration, and environmental conditions



NOTE: in the diagram above, the battery connection may be switched with the load connection to prevent the battery from discharging through the power supply when load shed is active.

Specifications

Input voltage range	90 - 265 Vac 50 - 60 Hz		
Input voltage frequency	47-63hz		
Recommended input circuit breaker or fuse, slow blow type	4.0 A		
Input protection fuse	4A (non replaceable)		
Inrush protection	thermistor		
Over voltage	varistor		
Output	12 volt model 24 volt model	12 - 13.9 Vdc adjustable 24 - 27.8 Vdc adjustable	
Current limit protection	12 volt model 24 volt model	5 amp 3 amp	
Short Circuit protection	current limit @ max, current mode operation		
Regulation	load 0-100%	2.4% max	
Ripple and noise	(20Mhz BW)	70mV P-P	
Overload protection	Electronic overload protection		
Over temperature protection	Turn off on over temperature, auto reset		
Power fail alarm signal (A)	12 volt model 24 volt model	9-12 volt 22-25 volt	(low signal on power fail) (low signal on power fail)
Low voltage disconnect (LS+)	12 volt model 24 volt model	11.2 volt 22.5 volt	
Low voltage reconnect (LS+)	12 volt model 24 volt model	12.5 volt 25 volt	
Temperature compensation	12 volt model 24 volt model	13.6 volt @ 25 C 26.7 volt @ 25 C	
Cooling	convection		
Operating temperature	-40 - +60 deg. C		
Enclosure	Aluminum chassis, powder coated steel cover IP20		
Mounting	Din rail		
Certification	QPS ExnA IIB, Class 1 Division 2 GP. C,D CSA C22.2 NO. 213-87M(99) CAN/CSA E60079-15:02 CSA C22.2 NO. 107.1-95 CEC (2006)		

Models

Model	power	output voltage	output current	T. Comp.	LVD	RoHS
BC70-LS24	70w	24 Vdc	3.0 A	yes	yes	yes
BC70-LS12	70w	12 Vdc	5.0 A	yes	yes	yes

** not for use with NiCad or Lion types, check with battery manufacturer for suitability and recommended charger voltage.